

**Layer 3 12-/24-/48-Port 10G SFP+ + 4-Port 100G  
QSFP28 Managed Switch**

**XGS-6350-12X8TR/XGS-6350-24X2C  
XGS-6350-24X4C/XGS-6350-48X2Q4C**

Quick Installation Guide

# Table of Contents

1. Package Contents .....	3
2. Switch Management.....	4
3. Requirements .....	5
4. Terminal Setup .....	6
4.1 Logging on to the Console .....	7
4.2 Configuring IP Address .....	9
4.3 Setting 1000BASE-X for 10G SFP+ Port .....	10
4.4 Setting 40GBASE-X for 100G SFP+ Port.....	10
4.5 Changing Password .....	11
4.6 Saving the Configuration .....	11
5. Starting Web Management .....	12
5.1 Logging in to the Managed Switch from Management Port.....	13
5.2 Saving Configuration via the Web.....	16
6. LED Indicators.....	17
6.1 XGS-6350-12X8TR .....	17
6.2 XGS-6350-24X2C.....	18
6.3 XGS-6350-24X4C.....	19
6.4 XGS-6350-48X2Q4C.....	20
7. Customer Support .....	22

## 1. Package Contents

Thank you for purchasing PLANET Layer 3 12-/24-/48-Port 10G SFP+ plus 4-Port 100G QSFP28 Managed Switch, XGS-6350-12X8TR/XGS-6350-24X2C/XGS-6350-24X4C/XGS-6350-48X2Q4C.

Unless specified, **“Managed Switch”** mentioned in this Quick Installation Guide refers to the XGS-6350-12X8TR/XGS-6350-24X2C/XGS-6350-24X4C/XGS-6350-48X2Q4C.

Model	Description
XGS-6350-12X8TR	Layer 3 12-Port 10G SFP+ + 8-Port 10/100/1000T Managed Switch with Dual 100~240V AC Redundant Power
XGS-6350-24X2C	Layer 3 24-Port 10G SFP+ + 2-Port 100G QSFP28 Managed Ethernet Switch
XGS-6350-24X4C	Layer 3 24-Port 10G SFP+ + 4-Port 100G QSFP28 Managed Switch
XGS-6350-48X2Q4C	Layer 3 48-Port 10G SFP+ + 2-Port 40G QSFP+ + 4-Port 100G QSFP28 Managed Switch

Open the box of the **Managed Switch** and carefully unpack it. The box should contain the following items:

	XGS-6350-12X8TR	XGS-6350-24X2C	XGS-6350-24X4C	XGS-6350-48X2Q4C
QR Code Sheet	■	■	■	■
RS232 to RJ45 Console Cable	■	■	■	■
Rack Mount Accessory Kit	■	■	■	■
AC Power Cord	2	1	1	1
Rubber Feet	4	4	4	4
SFP Dust Cap	12	26	28	54

If any item is found missing or damaged, please contact your local reseller for replacement.

## 2. Switch Management

To set up the Managed Switch, the user needs to configure the Managed Switch for network management. The Managed Switch provides two management options: **Out-of-Band Management** and **In-Band Management**.

### ■ Out-of-Band Management

Out-of-band management is the management through console interface. **Generally, the user will use out-of-band management for the initial switch configuration**, or when in-band management is not available.

### ■ In-Band Management

In-band management refers to the management by logging in to the Managed Switch using Telnet or HTTPs, or using SNMP management software to configure the Managed Switch. In-band management enables the management of the Managed Switch to attach some devices to the Switch. The following procedures are required to enable in-band management:

1. Log on to console
2. Assign/Configure IP address
3. Create a remote login account
4. Enable HTTPs or Telnet server on the Managed Switch

In case in-band management fails due to Managed Switch configuration changes, out-of-band management can be used for configuring and managing the Managed Switch.



Important

The XGS-6350-24X2C, XGS-6350-24X4C, and XGS-6350-48X2Q4C Managed Switches are shipped with Management **Port** IP address **192.168.1.1/24** assigned and **VLAN1 interface** IP address **192.168.0.254/24** assigned by default. User can assign another IP address to the Managed Switch via the console interface to be able to remotely access the Managed Switch through Telnet or HTTPs.

### 3. Requirements

- **Workstations** running Windows 10/11, MAC OS 10.16 or later, Linux, UNIX, or other platforms that are compatible with TCP/IP Protocols.
- Workstations are installed with Ethernet NIC (Network Interface Card)
- **Serial Port Connection** (Terminal)
  - The above Workstations come with COM Port (DB9) or USB-to-RS232 converter.
  - The above Workstations have been installed with terminal emulator, such as Tera Term or PuTTY.
  - Serial cable -- one end is attached to the RS232 serial port, while the other end to the console port of the Managed Switch.
- Management Port Connection
  - Network cables -- Use standard network (UTP) cables with RJ45 connectors.
  - The above PC is installed with Web browser.

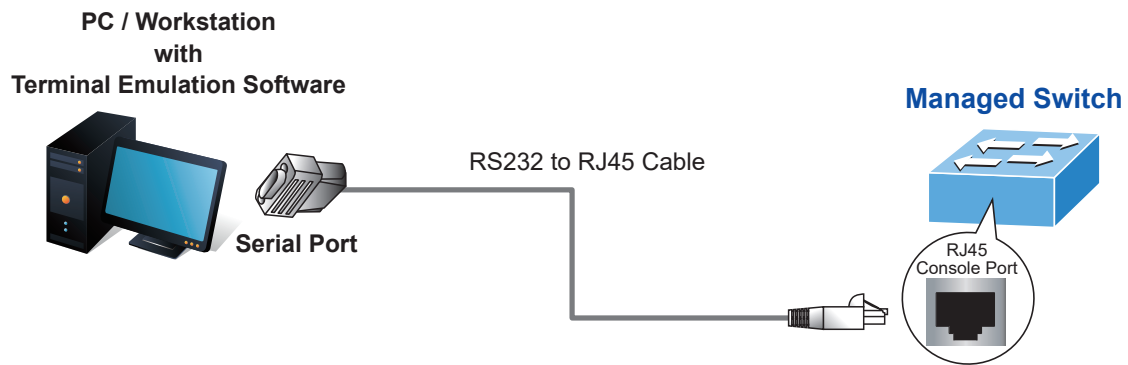


Note

It is recommended to use Google Chrome or above to access the Managed Switch. If the Web interface of the Managed Switch is not accessible, please turn off the anti-virus software or firewall and then try it again.

## 4. Terminal Setup

To configure the system, connect a serial cable to a COM port on a PC or notebook computer and to serial (console) port of the Managed Switch. The console port of the Managed Switch is DCE already, so that you can connect the console port directly through PC without the need of Null Modem.

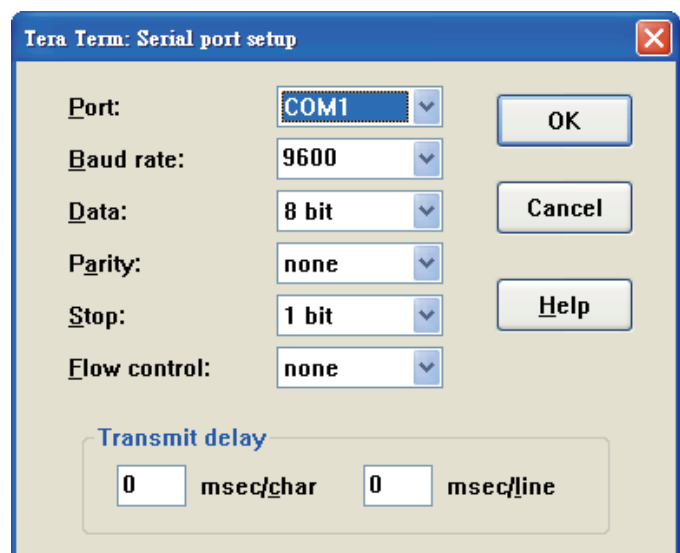


**Figure 4-1:** Managed Switch Console Connectivity

A terminal program is required to make the software connection to the Managed Switch. Tera Term program may be a good choice. The Tera Term can be accessed from the **Start** menu.

1. Click **START** menu, then **Programs**, and then **Tera Term**.
2. When the following screen appears, make sure that the COM port should be configured as:

- ◆ Baud: 9600
- ◆ Parity: None
- ◆ Data bits: 8
- ◆ Stop bits: 1
- ◆ Flow control: None



**Figure 4-2:** Tera Term COM Port Configuration

## 4.1 Logging on to the Console

Once the terminal is connected to the device, power on the Managed Switch, and the terminal will display **“running testing procedures”**.

Then, the following message asks for the login user name and password. The factory default user name and password are as follows as the login screen in Figure 4-3 appears.



Note

The following console screen is based on the firmware version before **May of 2024**.

Username: **admin**

Password: **admin**

```
User Access Verification
```

```
Username: admin
```

```
Password:
```

```
Switch>enable
```

```
Switch#
```

**Figure 4-3:** Managed Switch Console Login Screen

The user can now enter commands to manage the Switch. For a detailed description of the commands, please refer to the following chapters.



Note

1. For security reason, **please change and memorize the new password after this first setup**.
2. Only accept command in lowercase letter under console interface.



Note

The following console screen is based on the firmware version of **February of 2024 or after**.

Username: **admin**

Password: **sw + the last 6 characters of the MAC ID in lowercase**

Find the MAC ID on your device label. The default password is "sw" followed by the last six lowercase characters of the MAC ID.

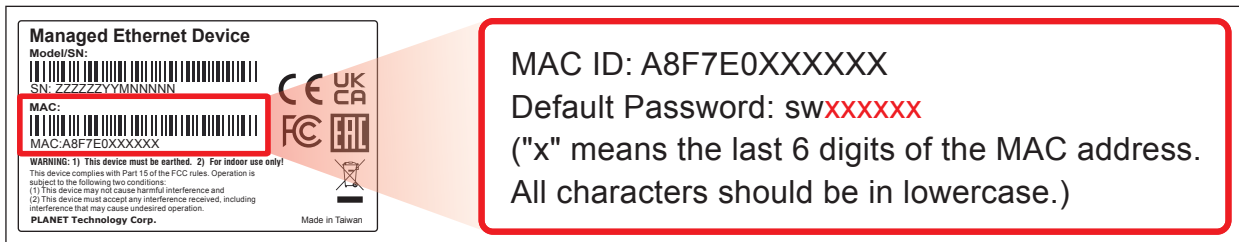


Figure 4-4: MAC ID Label

Enter the default username and password, then set a new password according to the rule-based prompt and confirm it.

```
Username: admin
Password: *****

Please input a new password:*****

Please input the new password AGAIN:*****

Switch>Jan 1 00:10:28 User admin logged in from on console 0

Switch>enable
Switch#Jan 1 00:10:34 User admin enter privilege mode from console 0, level = 15

Switch#
```

Figure4-5: Managed Switch Console Login Screen

The user can now enter commands to manage the Switch. For a detailed description of the commands, please refer to the following chapters.



Note

1. For security reason, please change and memorize the new password after this first setup.
2. Accept command in lowercase or uppercase letter under console interface.



## 4.2 Configuring IP Address

The IP address configuration commands for **VLAN1 interface** are listed below. Before using in-band management, the Managed Switch must be configured with an IP address by out-of-band management (i.e. console mode). The configuration commands are as follows:

```
Switch#config
Switch_config#interface vlan 1
Switch_config_v1#ip address 192.168.1.254 255.255.255.0
```

The previous command would apply the following settings for the Managed Switch.

**IPv4 Address: 192.168.1.254**

**Subnet Mask: 255.255.255.0**

```
Switch#config
Switch_config#interface vlan1
Switch_config_v1#ip address 192.168.1.254 255.255.255.0
Switch_config_v1#
Switch_config_v1#
Switch_config_v1#
Switch_config_v1#
```

**Figure 4-6:** Configuring IPv4 Address Screen

To check the current IP address or modify a new IP address for the Managed Switch, please use the procedures as follows:

### ■ Show the current IP address

1. On "**Switch#**" prompt, enter "**show ip interface brief**".
2. The screen displays the current IP address, subnet mask and gateway as shown in Figure 4-7.

```
Switch#config
Switch_config#interface vlan1
Switch_config_v1#ip address 192.168.1.254 255.255.255.0
Switch_config_v1#
Switch_config_v1#
Switch_config_v1#
Switch_config_v1#exit
Switch_config#show ip interface brief
Interface          IP-Address      Method Protocol-Status
Null0              unassigned      manual up
VLAN1              192.168.1.254  manual up
Switch_config#
```

**Figure 4-7:** Showing IP Information Screen

If the IP is successfully configured, the Managed Switch will apply the new IP address setting immediately. You can access the Web interface of Managed Switch through the new IP address.



Note

If you are not familiar with console command or the related parameter, enter **"help"** anytime in console to get the help description.

### 4.3 Setting 1000BASE-X for 10G SFP+ Port

For XGS-6350-24X2C, XGS-6350-24X4C, XGS-6350-48X2Q4C only.

The Managed Switch supports both **1000BASE-X** and **10GBASE-X** SFP transceivers by manual setting and the default SFP+ port speed is set to 10Gbps. For example, to establish the fiber connection with 1000BASE-X SFP transceiver in the **tgigaethernet 0/1**, the following command configuration is required:

```
Switch#config
Switch_config#interface tgigaethernet 0/1
Switch_config_tg0/1#speed 1000
Switch_config_tg0/1#exit
Switch_config#interface range tgigaethernet 0/2-24
Switch_config_if_range#speed 1000
Switch_config_if_range#
```

Figure 4-8: Setting 1000BASE-X Screen

### 4.4 Setting 40GBASE-X for 100G SFP+ Port

For XGS-6350-24X2C, XGS-6350-24X4C, XGS-6350-48X2Q4C only.

The Managed Switch supports both **40GBASE-X** and **100GBASE-X** SFP transceivers by manual setting and the default SFP+ port speed is set to 100Gbps. For example, to establish the fiber connection with 40GBASE-X SFP transceiver in the **cgigaethernet 0/1**, the following command configuration is required:

```
Switch#config
Switch_config#interface cgigaethernet 0/1
Switch_config_cg0/1#speed 40000
Switch_config_cg0/1#exit
Switch_config#interface range cgigaethernet 0/2-4
Switch_config_if_range#speed 40000
Switch_config_if_range#
```

Figure 4-9: Setting 40GBASE-X Screen

## 4.5 Changing Password

The default password of the switch is "admin". For security reason, it is recommended to change password and the following command configuration is required:

```
Switch#config  
Switch_config#username admin password planet2018  
Switch_config#
```

```
Switch#config  
Switch_config#username admin password planet2018  
Switch_config#
```

Figure 4-10: Changing Password Interface Screen

## 4.6 Saving the Configuration

In Managed Switch, the running configuration file stores in the RAM. In the current version, the running configuration sequence running-config can be saved from the RAM to FLASH by **write** command, so that the running configuration sequence becomes the start-up configuration file, which is called configuration save.

```
Switch#write
```

```
Switch#write  
Saving current configuration..  
OK!  
Switch#Jan 5 00:45:12 /startup-config is wrote. TID:87172682  
Switch#|
```

Figure 4-11: Write Screen

## 5. Starting Web Management

The Managed Switch provides a built-in browser interface. You can manage it remotely by having a remote host with Web browser, such as Microsoft Internet Explorer, Mozilla Firefox, Google Chrome or Apple Safari.

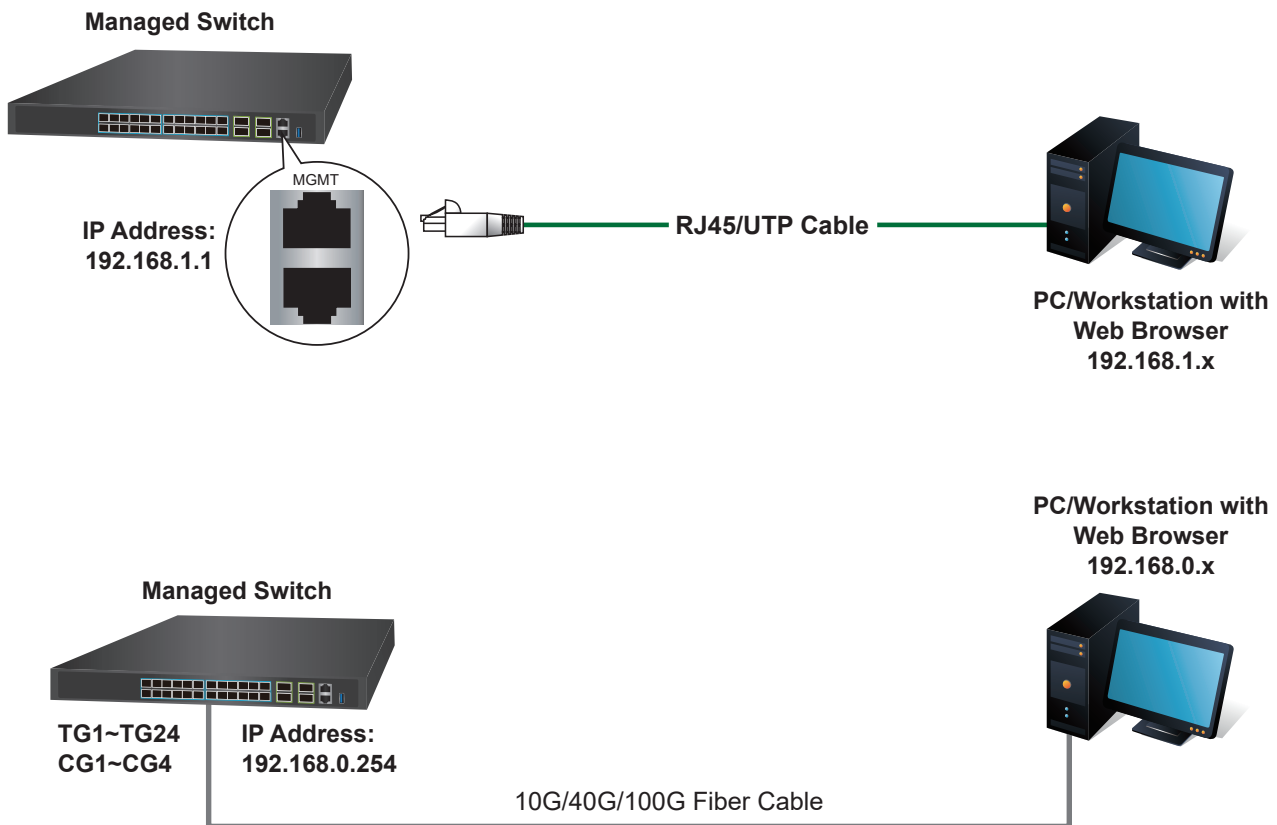


Figure 5-1: IP Management Diagram

The following shows how to start up the **Web Management** of the Managed Switch. Please note the Managed Switch is configured through an Ethernet connection. Please make sure the manager PC must be set to the same **IP subnet address**.

## 5.1 Logging in to the Managed Switch from Management Port

1. Use Internet Explorer 8.0 or above Web browser and enter IP address **https://192.168.0.254** (that you have just set in console) to access the Web interface.



Important

The XGS-6350-24X2C, XGS-6350-24X4C and XGS-6350-48X2Q4C Managed Switches are shipped with Management **Port** IP address **192.168.1.1/24** assigned and **VLAN1 interface** IP address **192.168.0.254/24** assigned by default. User can assign another IP address to the Managed Switch via the console interface to be able to remotely access the Managed Switch through Telnet or HTTPs.



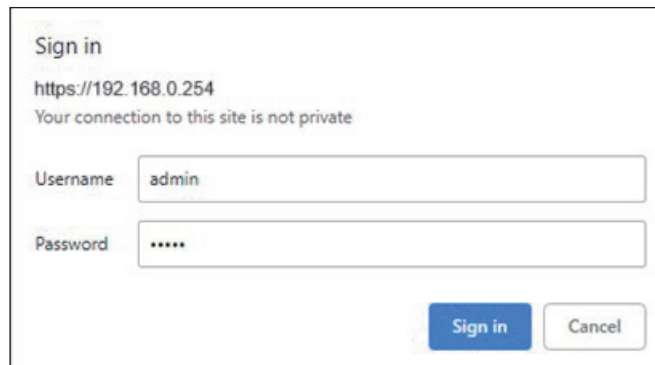
Note

The following console screen is based on the firmware version before **May of 2024**.

2. When the following dialog box appears, please enter the default user name and password. Refer to **Section 4.1** to determine your initial login password.

Default Username: **admin**

Default Password: **admin**



**Figure 5-2:** Login Screen

3. After entering the password, the main screen appears as Figure 5-6 shows.



Note

The following web screen is based on the firmware version of **May of 2024 or after**.

- When the following dialog box appears, please enter the default user name and password. Refer to **Section 4.1** to determine your initial login password.

Default IP Address: **192.168.0.254**

Default User Name: **admin**

Default Password: **sw + the last 6 characters of the MAC ID in lowercase**

**Figure 5-3:** Login Screen

After logging in, you will be prompted to change the initial password to a permanent one.

**Figure 5-4:** Create a New Password

5. After entering the password, the main screen appears as shown below.



**Figure 5-5:** Web Main Screen of Managed Switch

6. The Switch Menu on the left of the Web page lets you access all the commands and statistics the Switch provides.

Now, you can use the Web management interface to continue the Switch management or manage the Managed Switch by console interface. Please refer to the user manual for more.



## 5.2 Saving Configuration via the Web

The configuration area is to show the content that is selected in the navigation area. The configuration area always contains one or more buttons, such as "Refresh", "Apply" and "Reset".

The "Apply" button indicates applying the modified configuration to the device. The application of the configuration does not mean that the configuration is saved in the configuration file.

To save the configuration, you have to click "Save All" on the top control bar. "Save All" function is equivalent to the execution of the **write** command.

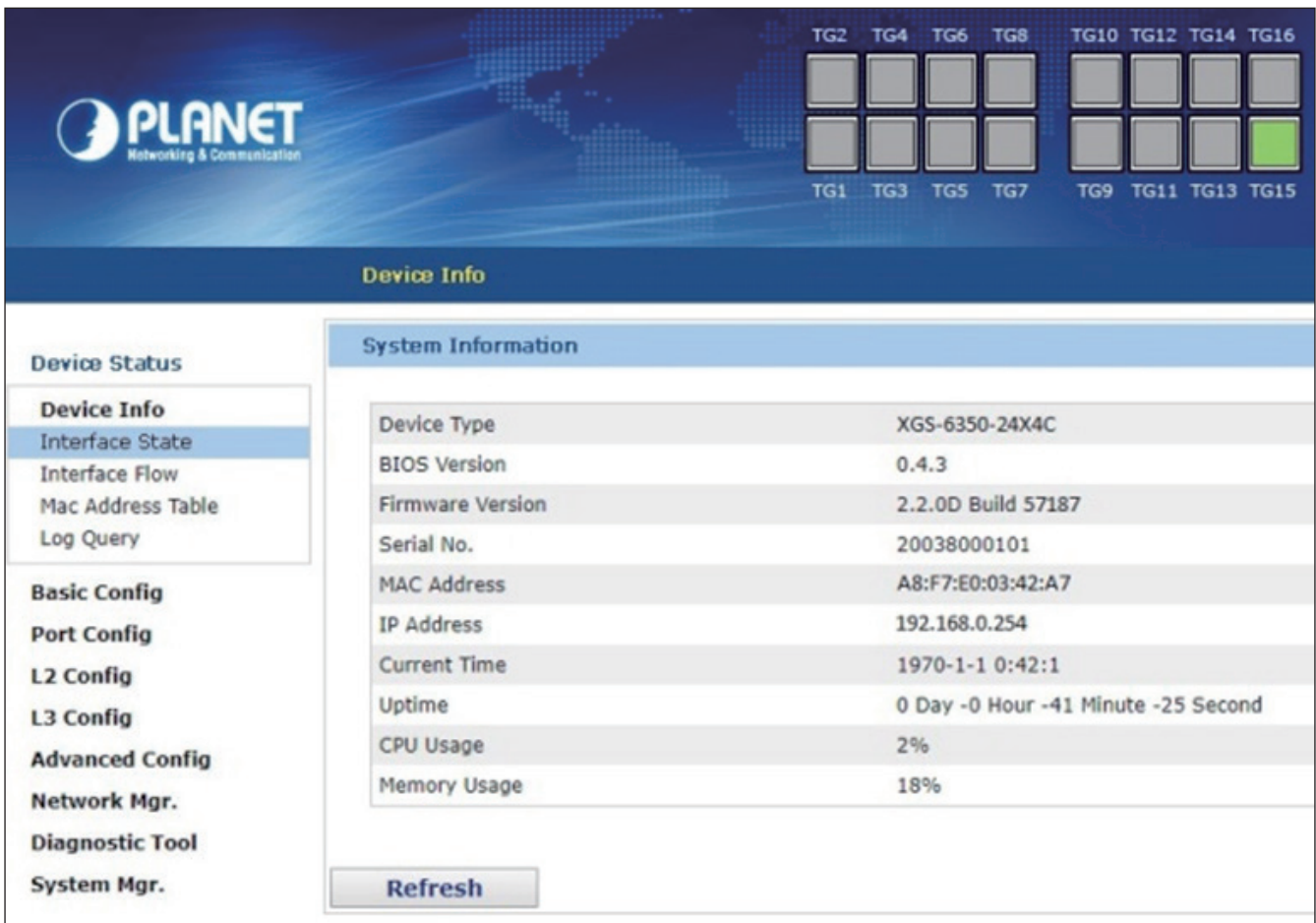


Figure 5-6: Save Cconfiguration



## 6. LED Indicators

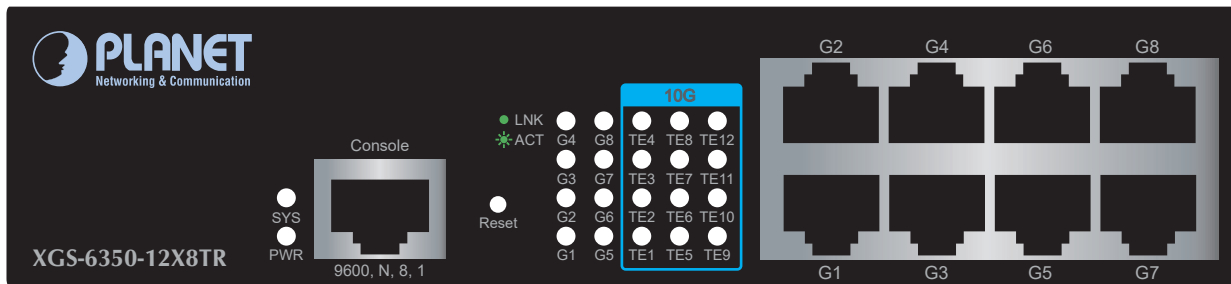
### 6.1 XGS-6350-12X8TR

#### ■ System

LED	Color	Function
PWR	Green	Lights to indicate that the Switch has power.
	Off	Power is off.
SYS	Green	Blinks to indicate the system diagnosis is completed; lights to indicate the system is normally starting up.

#### ■ Interfaces

LED	Color	Function
LNK/ACT	Green	Blinks to indicate the data is transmitting and receiving through the port; lights to indicate the link on the port is normal.



## 6.2 XGS-6350-24X2C

### ■ System

LED	Color	Function
PWR	Green	Lights to indicate that the Switch has power.
	Off	Power is off.
SYS	Green	Blinks to indicate the system is normally starting up.

### ■ Interfaces (TG1~TG24)

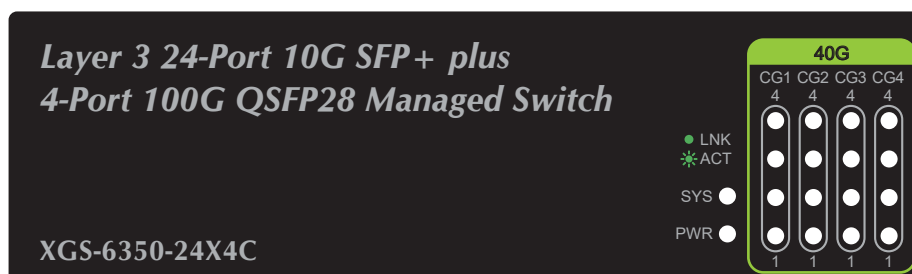
LED	Color	Function
LNK/ACT	Green	Blinks to indicate the data is transmitting and receiving through the port; lights to indicate the link on the port is normal.

### ■ 40G Status LED (Divided into 4 10G) (CG1~CG2)

LED	Color	Function
LNK/ACT	Green	Blinks to indicate the data is transmitting and receiving through the QSFP+ 40G to 4 10GE ports; lights to indicate the link on the port is normal.

### ■ 40G/100G Status LED (CG1~CG2)

LED	Color	Function
40G/100G LNK/ACT	Green	Blinks to indicate the data is transmitting and receiving through the port; lights to indicate the link on the port is normal.



### 6.3 XGS-6350-24X4C

#### ■ System

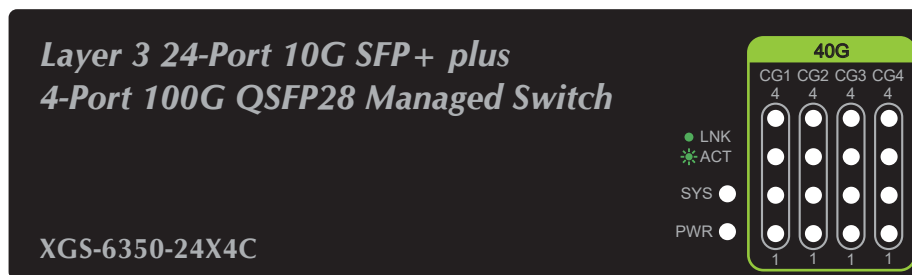
LED	Color	Function
PWR	Green	Lights to indicate that the Switch has power.
	Off	Power is off.
SYS	Green	Blinks to indicate the system diagnosis is completed; lights to indicate the system is normally starting up.

#### ■ Interfaces

LED	Color	Function
LNK/ACT	Green	Blinks to indicate the data is transmitting and receiving through the port; lights to indicate the link on the port is normal.

#### ■ 40G Status LED (Divided into 4 10G)

LED	Color	Function
LNK/ACT (CG1~CG4)	Green	Operating in 100G mode, the LED does not light; when the QSFP+ corresponding port indicator is lit, 4 indicators indicate the LINK/ACT status of the 4 10GE ports corresponding to the QSFP+ port.



## 6.4 XGS-6350-48X2Q4C

### ■ System

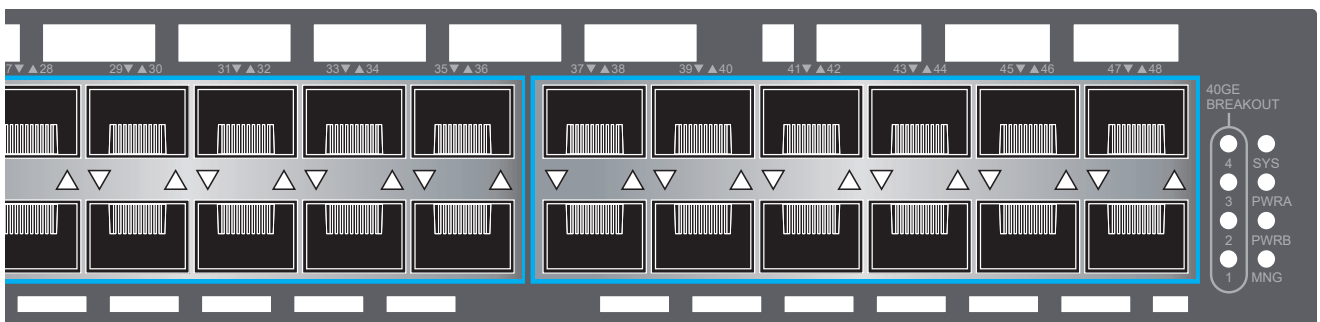
LED	Color	Function
PWRA PWRB	Green	Lights to indicate that the Switch has power.
	Off	Power is off.
SYS	Green	Blinks to indicate the system diagnosis is completed; lights to indicate the system is normally starting up.
MNG	Green	Lights to indicate that the Switch has connected the Ethernet cable to management port.
	Off	Lights to indicate that the Switch has not connected the Ethernet cable to management port.

### ■ Interfaces

LED	Color	Function
LNK/ACT	Green	Blinks to indicate the data is transmitting and receiving through the port; lights to indicate the link on the port is normal.

### ■ 40G BREAKOUT LED (Divided into 4 10G)

LED	Color	Function
LNK/ACT (1~4)	Green	Operating in 100Gbps on 4 QSFP28 ports and 40Gbps on 2 QSFP+ ports, the BREAKOUT LED does not light; when you configure the interface <b>dividing into 4</b> 10G ports through configuration, the BREAKOUT LED indicators will light up.





#### Note

When you finish the BREAKOUT setting, the LED indicator of each interface will be lit in a circular mode. In about 5 seconds, switch to the next interface. Suppose I partition interface QTGigaEthernet0/1 and QTGigaEthernet0/2 into four 10G ports. In this setup, all four 10G ports of interface QTGigaEthernet0/1 must be connected initially. The BREAKOUT LED indicators will illuminate on interface QTGigaEthernet0/1 for about 5 seconds, then switch to interface QTGigaEthernet0/2. This cycle repeats every 5 seconds.

## **7. Customer Support**

Thank you for purchasing PLANET products. You can browse our online FAQ resource at the PLANET Web site first to check if it could solve your issue. If you need more support information, please contact PLANET support team.

PLANET online FAQs:

<https://www.planet.com.tw/en/support/faq>

Support team mail address:

[support@planet.com.tw](mailto:support@planet.com.tw)

XGS-6350-12X8TR/24X2C/24X4C/48X2Q4C User's Manual

<https://www.planet.com.tw/en/support/download.php?view=3&key=XGS-6350-24X4C#list>



Copyright © PLANET Technology Corp. 2024.

Contents are subject to revision without prior notice.

PLANET is a registered trademark of PLANET Technology Corp.

All other trademarks belong to their respective owners.